

SUNRICHER

DALI BLE Fixture-Integrated PIR Sensor Controller

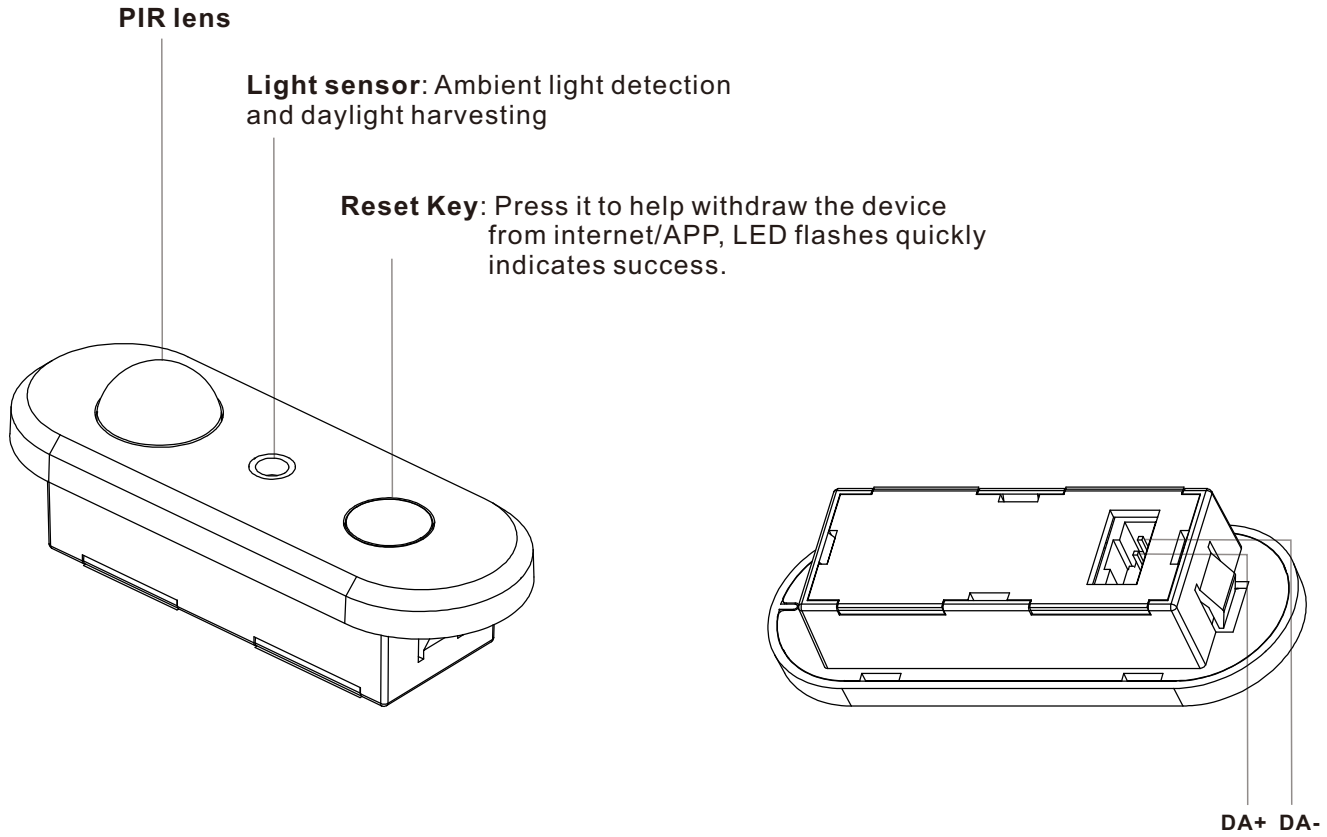
Product Datasheet

Please read all instructions before installation



Technology Partner **SILVAIR**

Product info



Note:

DA+: Powered by DALI BUS (+)

DA-: Powered by DALI BUS (-)

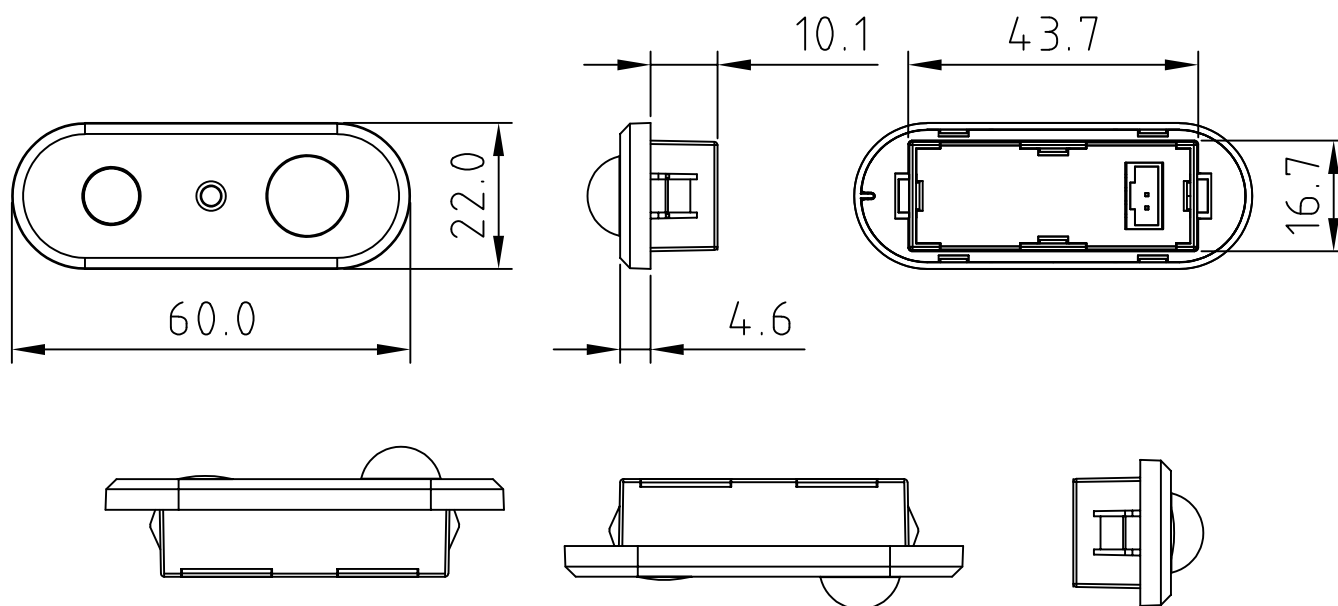
Parameters

Input		DALI BUS consumption	Control		Environment		Others
Power	Signal	Current	Dimming Curve	Dimming Method	Operating temperature	Relative humidity	Size
DALI BUS	Bluetooth	Max. 30mA	Logarithmic	PWM	0°C~+45°C	8% to 80%	See dimensions

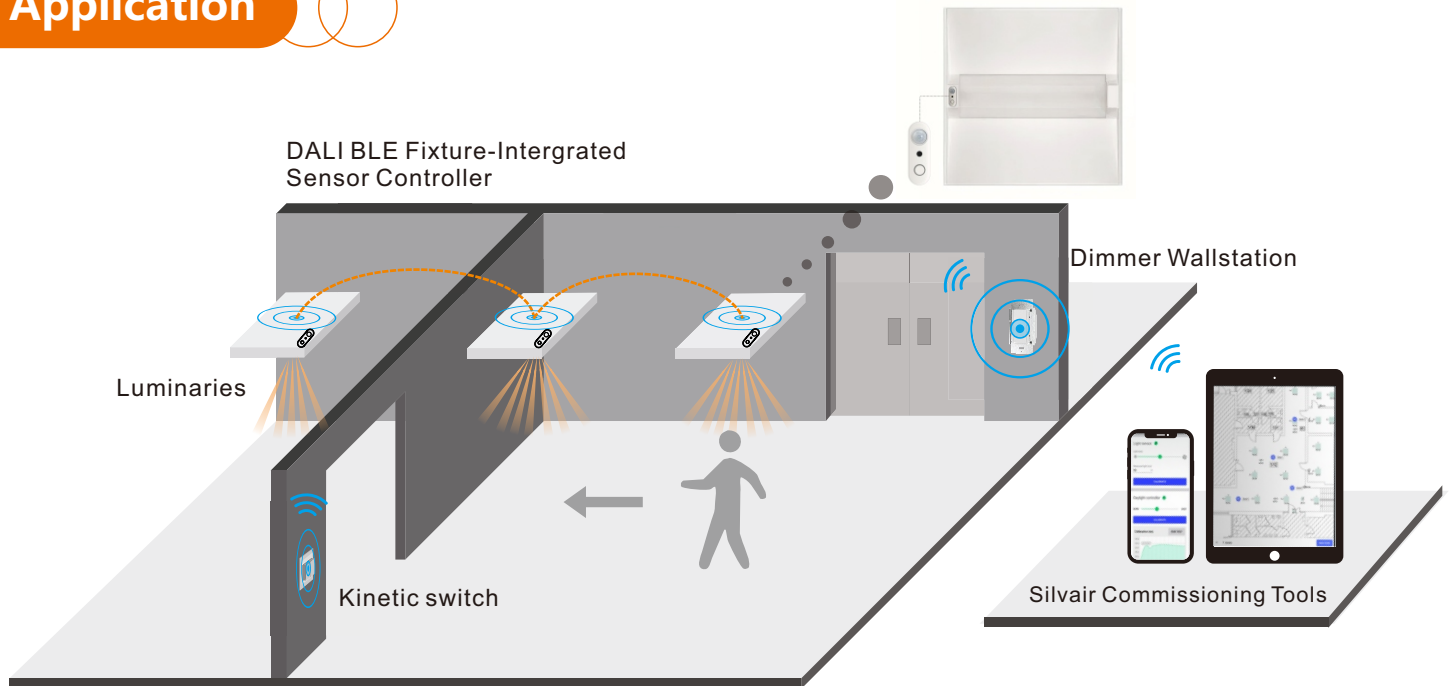
Features

- Bluetooth to DALI signal PIR sensor controller,Bluetooth® mesh network
- Powered by DALI BUS,extremely ease of use with DALI system,especially with D4i driver.
- Mesh network, which has a much longer control distance, transmits received signals to neighboring devices
- All devices on DALI line are broadcast controlled by mobile application
- Supporting our kinetic energy switches and EnOcean switches EWSSB and EWSDB
- In typical indoor environment, the typical range for wireless communication is 20m to 25m . Actual range is dependent on field installation.
- Available with Magnetic reset (Touch the top part of sensor for 5 seconds)
- On-board antenna
- Waterproof grade: IP20
- 5 years warranty

Dimension



Application



Specifications

ENERGY SAVINGS

- Low/High-end trimming
- Daylight harvesting
- Occupancy/Vacancy detection
- Auto and advanced demand response programs
- Time-of-Day dimming schedule
- Energy monitoring

COMFORT & CONVENIENCE

- Advanced occupancy detections
- Light-level stability
- Configurable dim-and-linger occupancy
- Personalized setting profile
- Work with kinetic switch keypad and dimmer wallstation
- Multi-scenes control

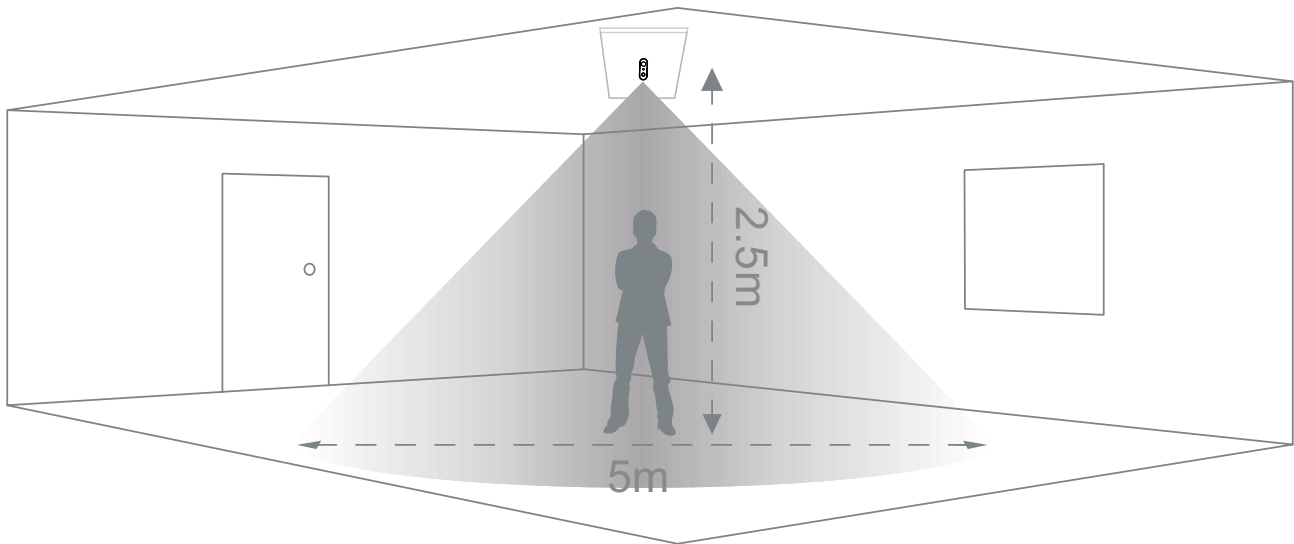
SENSING

- Testing Data:
- Mounting height: 2.5m
- Detection area diameter: 5m@2.5m

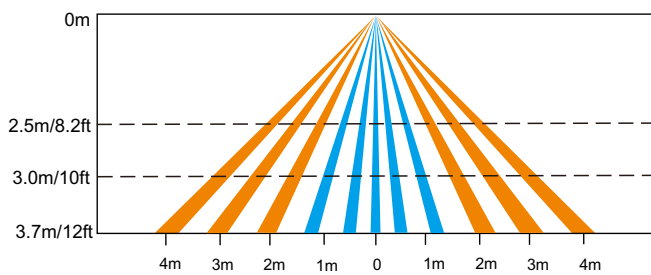
ENVIRONMENT AND APPROBATION

- Operating temperature: 0°C to 45°C
- Agency approbations: CE/UL listed/ FCC/ IC...
- Warranty: 5 years

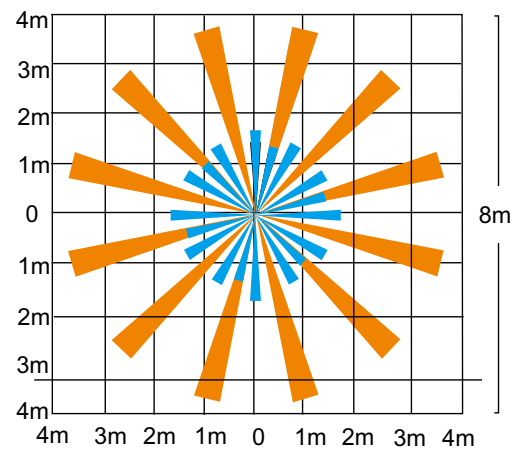
Detection Pattern



Coverage Side View



Coverage Top View



The detection area for movement sensor can be roughly divided into two parts:

- █ Slow movement (person moving < 1.0'/s or 0.3m/s)
- █ Quick movement (person moving > 1.3'/s or 0.4m/s)

Warning

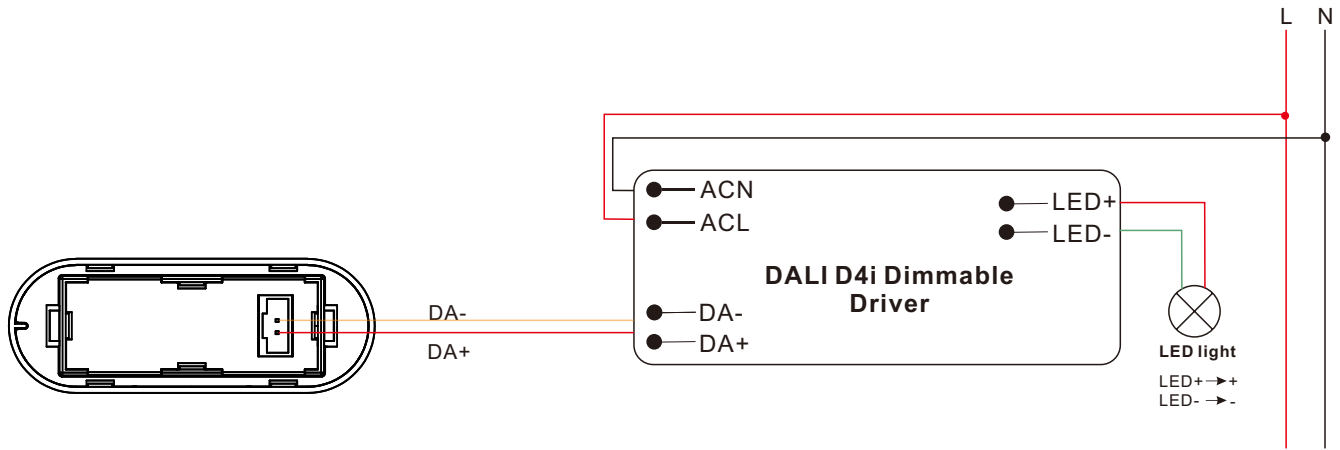
- DO NOT install with power applied to device
- DO NOT expose the device to moisture

Operation

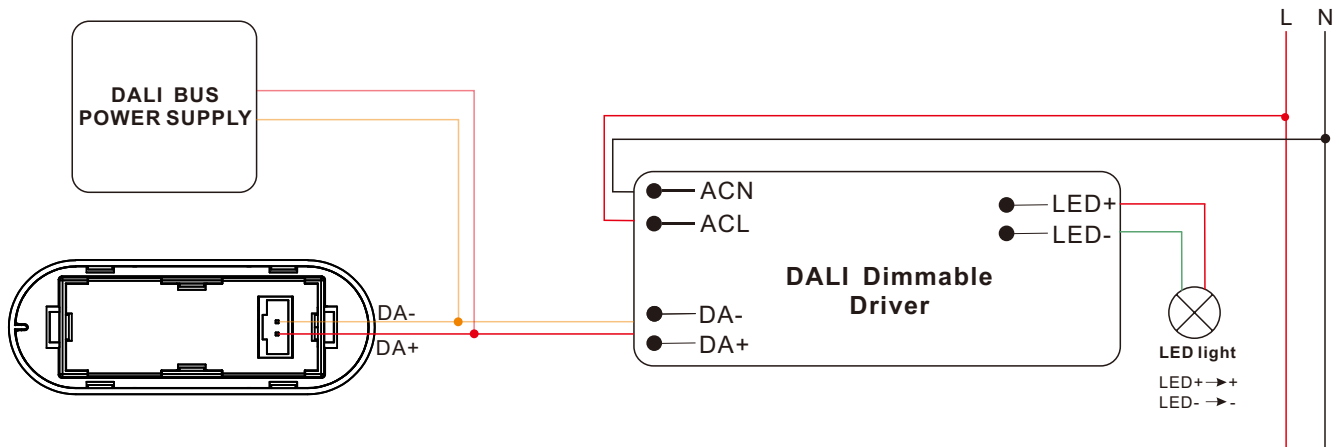
- Do wiring according to connection diagram
- Kindly refer to **Silvair commissioning User Manual** for further pairing
- Press and hold down the “Reset” button on the controller over 5 seconds until the indicator flashes , which means it has been reset.
- Available with Magnetic reset (Touch the top part of sensor for 5 seconds)

Wiring

Working with DALI D4i Driver(Integrated DALI BUS power supply)



Working with DALI System (DALI Bus power supply)



Update log

Date	Version	Update content	Update by
2023-7-31	V1.1	Initial Version	Romeo

Subject to change without notice. Please contact us if you have any question.